



US00D646442S

(12) **United States Design Patent**  
**Chance et al.**

(10) **Patent No.:** **US D646,442 S**

(45) **Date of Patent:** **\*\* Oct. 4, 2011**

(54) **PET FEEDER**

(75) Inventors: **Christopher E. Chance**, Bella Vista, AR (US); **Andrew Bojie**, Centerton, AR (US)

(73) Assignee: **Stout Stuff, LLC**, Bentonville, AR (US)

(\*\*) Term: **14 Years**

(21) Appl. No.: **29/385,845**

(22) Filed: **Feb. 21, 2011**

(51) **LOC (9) Cl.** ..... **30-03**

(52) **U.S. Cl.** ..... **D30/133; D30/130; D30/131**

(58) **Field of Classification Search** ..... **D30/133, D30/121, 128, 130, 132; 119/52.1, 55, 61.5-61.56; D6/480-485; 248/188; 312/204; 108/153.1-157**  
See application file for complete search history.

(56) **References Cited**

**U.S. PATENT DOCUMENTS**

|               |         |                  |           |
|---------------|---------|------------------|-----------|
| 2,584,301 A   | 2/1952  | Sinclair         |           |
| 3,180,316 A * | 4/1965  | Chatfield et al. | 119/51.12 |
| D207,198 S *  | 3/1967  | Robert           | D30/133   |
| D209,677 S *  | 12/1967 | Robert           | D30/133   |
| D209,678 S *  | 12/1967 | Robert           | D30/133   |
| D209,679 S *  | 12/1967 | Robert           | D30/133   |
| 3,785,348 A * | 1/1974  | Polidori et al.  | 119/62    |
| D260,043 S    | 7/1981  | Robinson         |           |
| 4,357,905 A   | 11/1982 | Carpenter        |           |
| D280,773 S *  | 9/1985  | Addy et al.      | D3/309    |
| 4,613,048 A * | 9/1986  | McGill           | 224/400   |
| 4,922,858 A * | 5/1990  | Ahrens           | 119/73    |
| 5,174,534 A * | 12/1992 | Mitchell         | 248/311.2 |
| D353,232 S *  | 12/1994 | Chrisco          | D30/130   |
| D373,449 S *  | 9/1996  | Chen             | D30/130   |
| D373,858 S    | 9/1996  | Chen             |           |
| D374,516 S *  | 10/1996 | Lillelund et al. | D30/132   |
| D374,517 S    | 10/1996 | Morrill          |           |
| D375,819 S    | 11/1996 | Benson           |           |

|               |         |                  |           |
|---------------|---------|------------------|-----------|
| D377,244 S    | 1/1997  | Steininger       |           |
| 5,718,405 A * | 2/1998  | Adachi           | 248/311.2 |
| D397,278 S *  | 8/1998  | Wang             | D7/701    |
| D412,377 S    | 7/1999  | Sharon           |           |
| D414,303 S    | 9/1999  | Sharon           |           |
| 6,145,474 A * | 11/2000 | Lemkin           | 119/61.5  |
| 6,209,487 B1  | 4/2001  | Quinlan et al.   |           |
| D442,443 S *  | 5/2001  | Perndocaj et al. | D7/701    |
| D444,683 S *  | 7/2001  | Corrion          | D7/701    |
| D467,045 S *  | 12/2002 | Tsengas          | D30/130   |
| D478,193 S    | 8/2003  | Routh            |           |
| D485,529 S *  | 1/2004  | Schoenberger     | D12/419   |
| D486,273 S *  | 2/2004  | Tsengas          | D30/130   |
| D486,274 S *  | 2/2004  | Tsengas          | D30/130   |
| 6,705,249 B2  | 3/2004  | Quinlan et al.   |           |
| D488,036 S *  | 4/2004  | Dimeo            | D7/708    |
| D491,697 S    | 6/2004  | Tsengas          |           |
| 6,786,177 B1  | 9/2004  | Lemkin           |           |
| D505,523 S    | 5/2005  | Rahman           |           |
| D551,400 S    | 9/2007  | Tsengas          |           |

(Continued)

*Primary Examiner* — Susan Moon Lee

(74) *Attorney, Agent, or Firm* — Larkin Hoffman Daly & Lindgren Ltd.

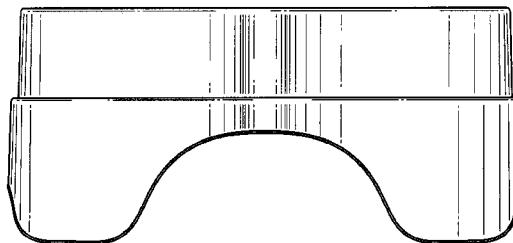
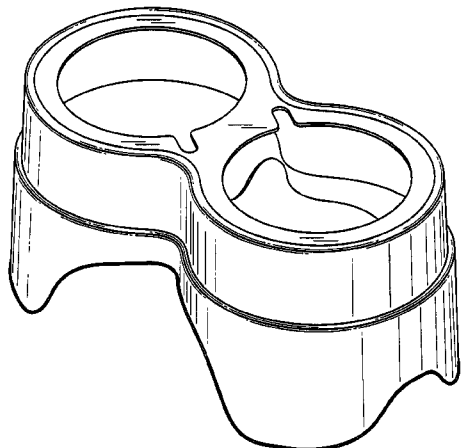
(57) **CLAIM**

The ornamental design for a pet feeder, as shown and described.

**DESCRIPTION**

FIG. 1 is a perspective view of the pet feeder of the present design.  
FIG. 2 is a front elevation view of the pet feeder of FIG. 1.  
FIG. 3 is a rear elevation view of the pet feeder of FIG. 1.  
FIG. 4 is a top plan view of the pet feeder of FIG. 1.  
FIG. 5 is a bottom plan view of the pet feeder of FIG. 1.  
FIG. 6 is a right side elevation view of the pet feeder of FIG. 1; and,  
FIG. 7 is a left side elevation view of the pet feeder of FIG. 1.

**1 Claim, 6 Drawing Sheets**



# US D646,442 S

Page 2

---

## U.S. PATENT DOCUMENTS

|              |         |                   |        |                   |        |                     |           |
|--------------|---------|-------------------|--------|-------------------|--------|---------------------|-----------|
| D565,805 S   | 4/2008  | Modi et al.       |        | D618,862 S        | 6/2010 | Shamoon et al.      |           |
| D577,466 S   | 9/2008  | Shamoon           |        | D621,559 S *      | 8/2010 | Clark, Jr. ....     | D30/133   |
| D580,109 S   | 11/2008 | Rutherford et al. |        | 2003/0037732 A1 * | 2/2003 | Quinlan et al. .... | 119/51.01 |
| D592,814 S   | 5/2009  | Uffner et al.     |        | 2008/0011235 A1 * | 1/2008 | Bahnean et al. .... | 119/61.5  |
| D592,911 S * | 5/2009  | Buchanan .....    | D7/605 | 2008/0196668 A1   | 8/2008 | Clark               |           |
| D618,861 S   | 6/2010  | Bahnean et al.    |        | 2011/0114025 A1 * | 5/2011 | McMurphy .....      | 119/51.5  |

\* cited by examiner

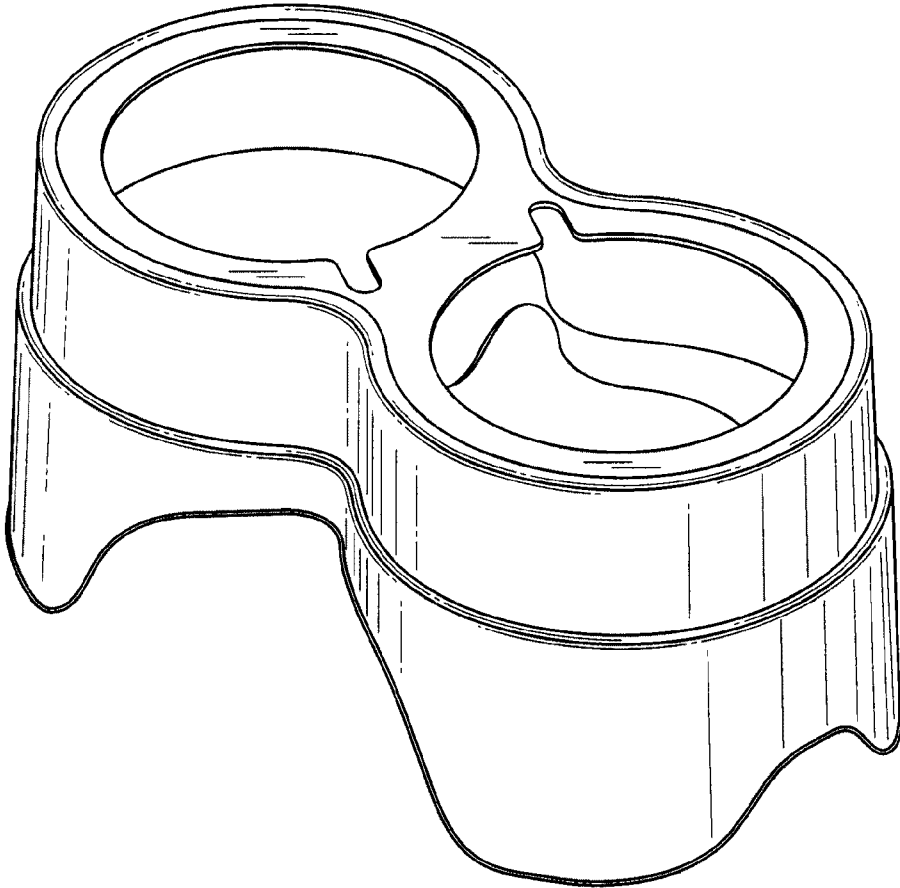


Fig. 1

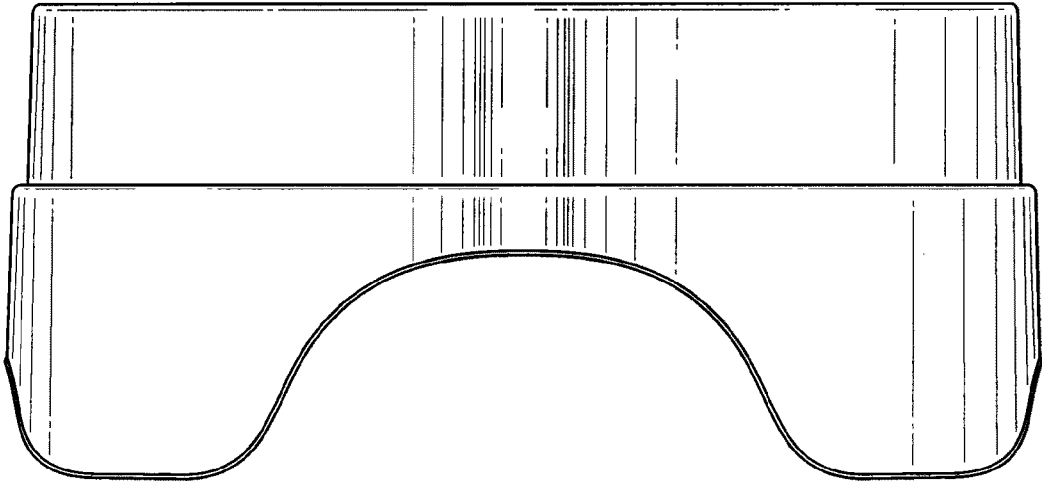
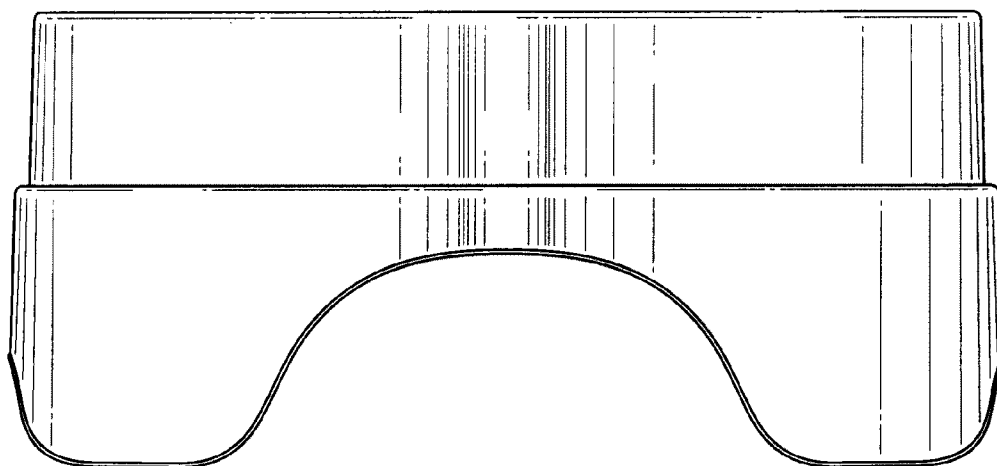
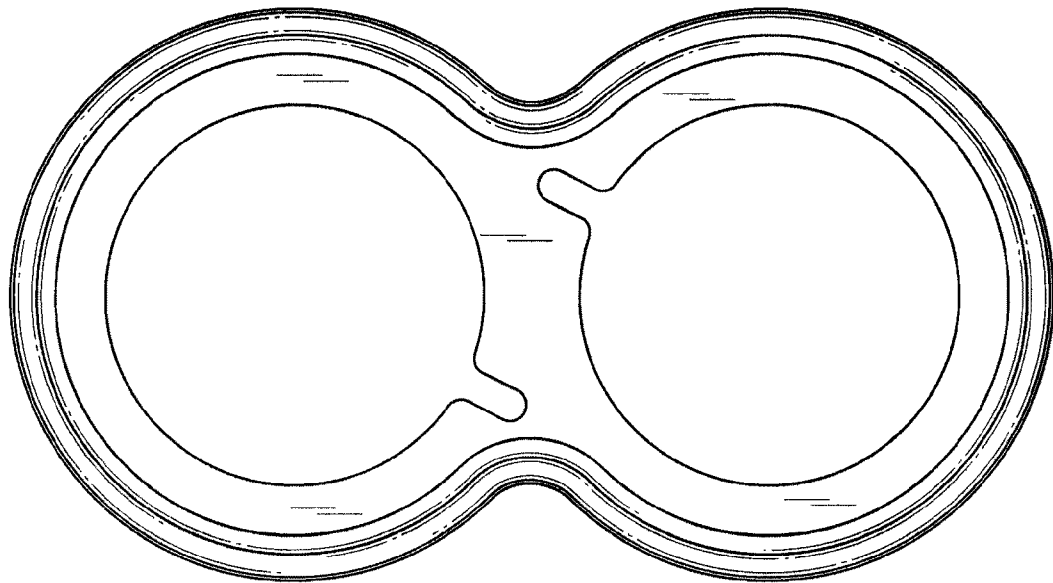


Fig. 2



**Fig. 3**



**Fig. 4**

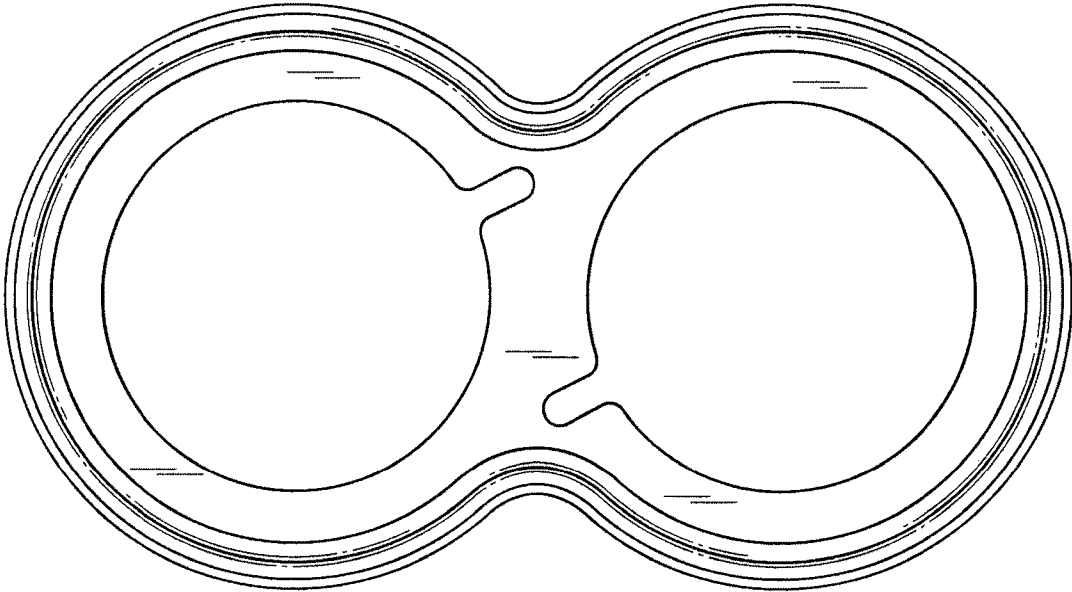
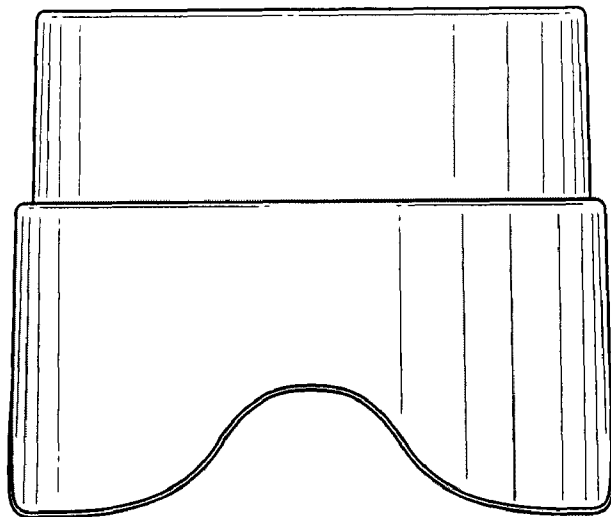
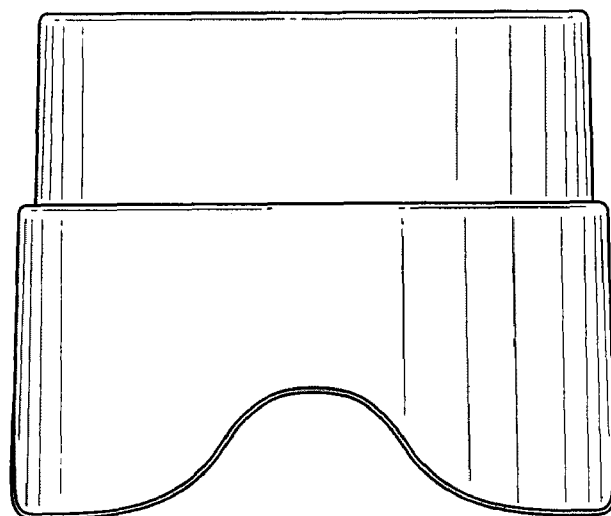


Fig. 5



**Fig. 6**



**Fig. 7**