



US00D703876S

(12) **United States Design Patent**
Chance et al.

(10) **Patent No.:** **US D703,876 S**

(45) **Date of Patent:** **** Apr. 29, 2014**

(54) **PET CARRIER**

(71) Applicants: **Christopher Chance**, Bella Vista, AR (US); **Thomas Lawson**, Rogers, AR (US); **Andrew Bojie**, Centerton, AR (US); **Jake Mackenzie Houser**, Mountain Home, AR (US); **Timothy Hart**, Rogers, AR (US)

(72) Inventors: **Christopher Chance**, Bella Vista, AR (US); **Thomas Lawson**, Rogers, AR (US); **Andrew Bojie**, Centerton, AR (US); **Jake Mackenzie Houser**, Mountain Home, AR (US); **Timothy Hart**, Rogers, AR (US)

(73) Assignee: **Stout Stuff, LLC**, Bentonville, AR (US)

(**) Term: **14 Years**

(21) Appl. No.: **29/444,592**

(22) Filed: **Jan. 31, 2013**

(51) **LOC (10) Cl.** **30-02**

(52) **U.S. Cl.**
USPC **D30/108**

(58) **Field of Classification Search**
USPC D30/108-109, 112-117, 160-161;
119/452-453, 474, 481-482, 489, 491,
119/494, 496-498, 501, 513-514
See application file for complete search history.

(56) **References Cited**

U.S. PATENT DOCUMENTS

3,490,417 A *	1/1970	Swinney	119/496
4,005,800 A	2/1977	Schurman	
D289,970 S	5/1987	Smith	
4,852,520 A	8/1989	Goetz	
D308,429 S	6/1990	Van Skiver	
4,930,819 A	6/1990	Sharp et al.	
D312,333 S	11/1990	Van Skiver	

D314,251 S	1/1991	Van Skiver	
5,016,570 A *	5/1991	Henson	119/497
5,016,926 A	5/1991	Sharp et al.	
5,071,176 A	12/1991	Smith	
5,253,612 A	10/1993	Goetz	
5,307,758 A *	5/1994	Ho	119/497
D351,688 S	10/1994	Northrop et al.	
D361,175 S *	8/1995	VanSkiver	D30/109
5,462,015 A	10/1995	Murphy	
D364,712 S	11/1995	Murphy et al.	

(Continued)

FOREIGN PATENT DOCUMENTS

WO 2011014584 A1 2/2011

OTHER PUBLICATIONS

<http://petchampion.com/dogs/kennels-and-carriers/>*

Primary Examiner — Cathy A MacCormac

(74) *Attorney, Agent, or Firm* — Thomas J. Oppold; Larkin Hoffman Daly & Lindgren Ltd.

(57) **CLAIM**

The ornamental design for a pet carrier, as shown and described.

DESCRIPTION

FIG. 1 is a top, front perspective view of the pet carrier of the present design.

FIG. 2 is a left side elevation view of the pet carrier of FIG. 1.

FIG. 3 is a right side elevation view of the pet carrier of FIG. 1.

FIG. 4 is a rear elevation view of the pet carrier of FIG. 1.

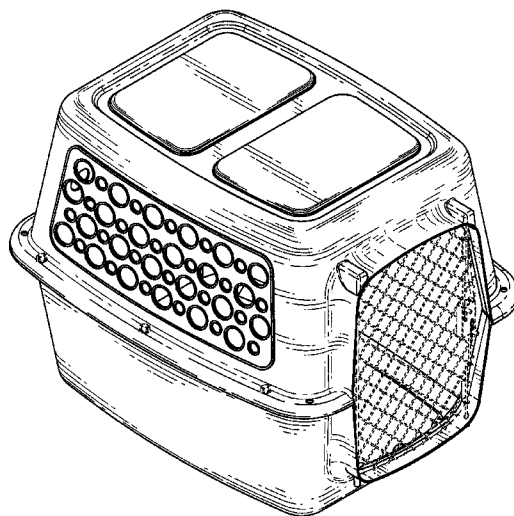
FIG. 5 is a front elevation view of the pet carrier of FIG. 1.

FIG. 6 is a top plan view of the pet carrier of FIG. 1; and,

FIG. 7 is a bottom plan view of the pet carrier of FIG. 1.

The broken lines showing the door and the twist-lock connectors to secure the top and bottom halves of the pet carrier together form no part of the claimed design.

1 Claim, 4 Drawing Sheets



(56)

References Cited

U.S. PATENT DOCUMENTS

D367,732 S 3/1996 Murphy et al.
 D367,734 S 3/1996 Sharp
 5,499,850 A 3/1996 Sharp
 D384,443 S 9/1997 Olfert
 D384,778 S 10/1997 Powers et al.
 5,701,843 A * 12/1997 Lazides 119/496
 D393,622 S 4/1998 Goertzen
 D435,705 S 12/2000 Powers et al.
 D453,592 S 2/2002 Ross
 6,374,775 B1 * 4/2002 Baumsteiger 119/496
 6,427,631 B1 8/2002 Ross
 D470,628 S 2/2003 Kinder et al.
 D471,676 S * 3/2003 Kinder et al. D30/108
 6,571,740 B1 * 6/2003 Kinder et al. 119/497
 6,783,162 B1 8/2004 Harper

7,152,554 B2 * 12/2006 Crawford 119/496
 D545,004 S * 6/2007 Harper et al. D30/108
 D545,507 S * 6/2007 Harper et al. D30/108
 D546,005 S * 7/2007 Harper et al. D30/108
 D551,399 S * 9/2007 Harper et al. D30/108
 D555,292 S 11/2007 Harper et al.
 D566,907 S * 4/2008 Barca D30/109
 D571,054 S 6/2008 Donnelly
 D575,907 S 8/2008 Roderman et al.
 7,712,437 B2 5/2010 Leung
 7,918,188 B1 4/2011 Harper
 D671,691 S * 11/2012 Neilan D30/108
 D678,623 S * 3/2013 Iranyi et al. D30/109
 D680,696 S * 4/2013 Hammel D30/108
 2008/0245312 A1 10/2008 Leung et al.
 2011/0041774 A1 2/2011 Northrop et al.
 2011/0048335 A1 3/2011 Leung

* cited by examiner

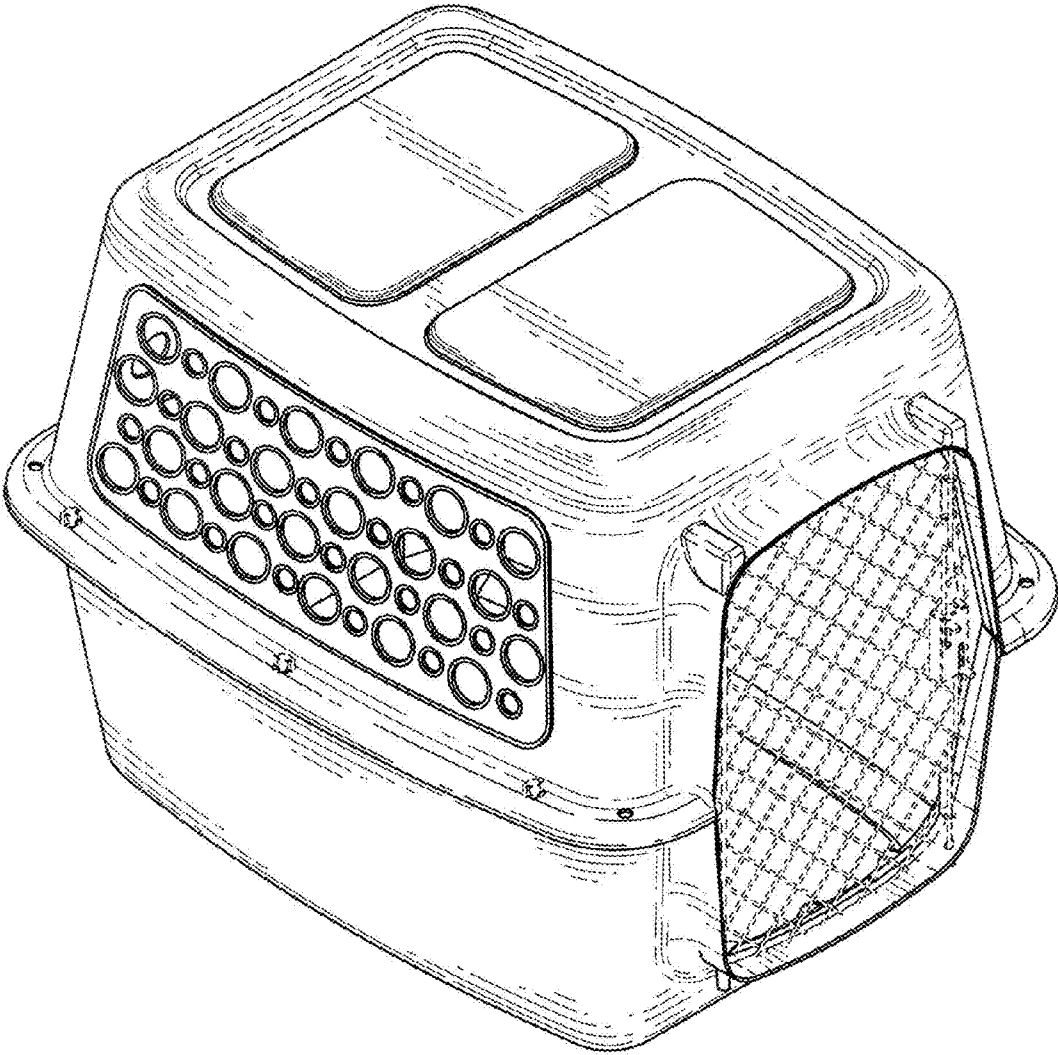


FIG. 1

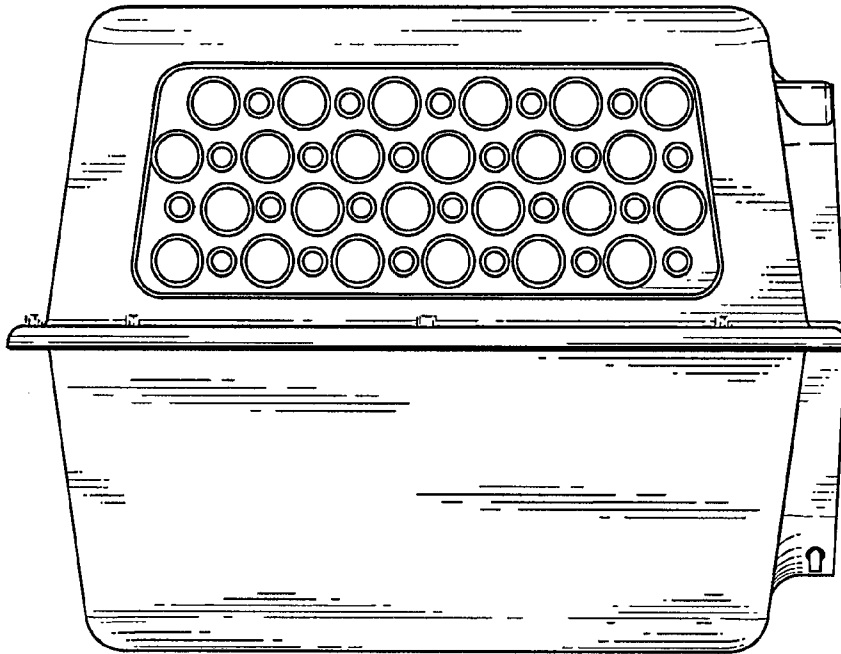


FIG. 2

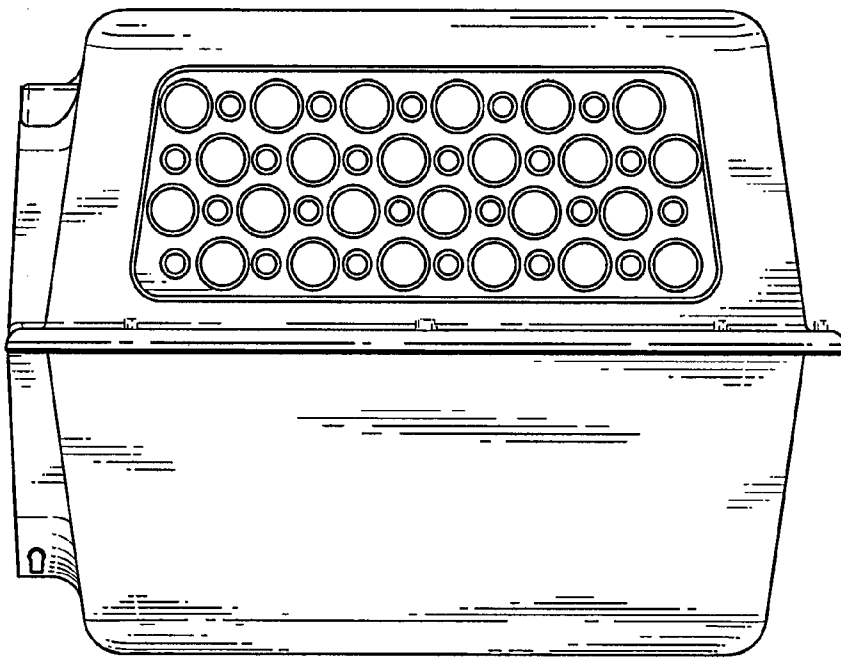


FIG. 3

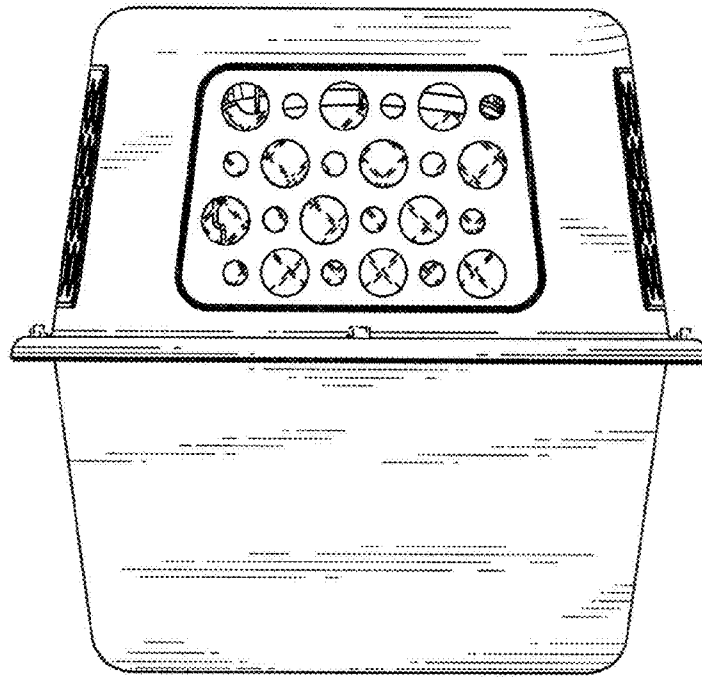


FIG. 4

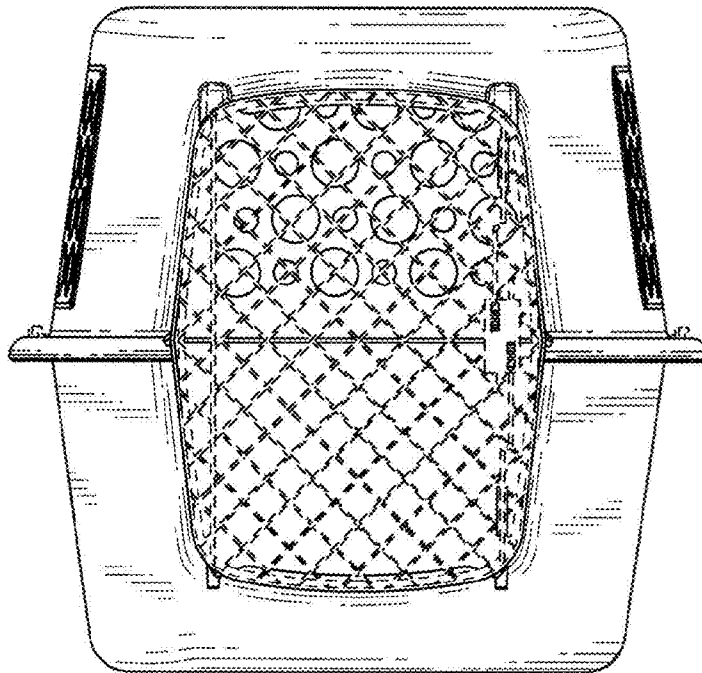


FIG. 5

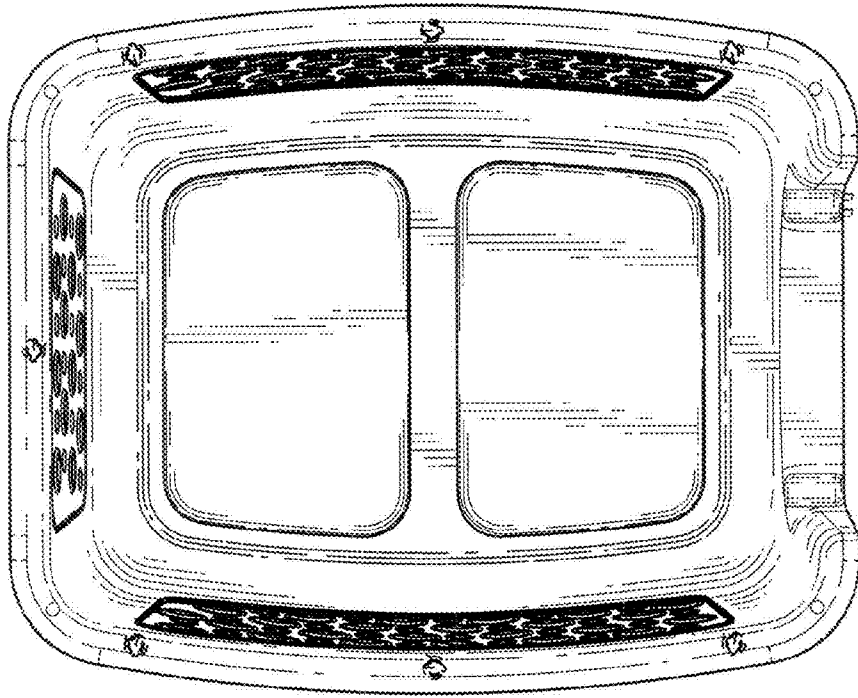


FIG. 6

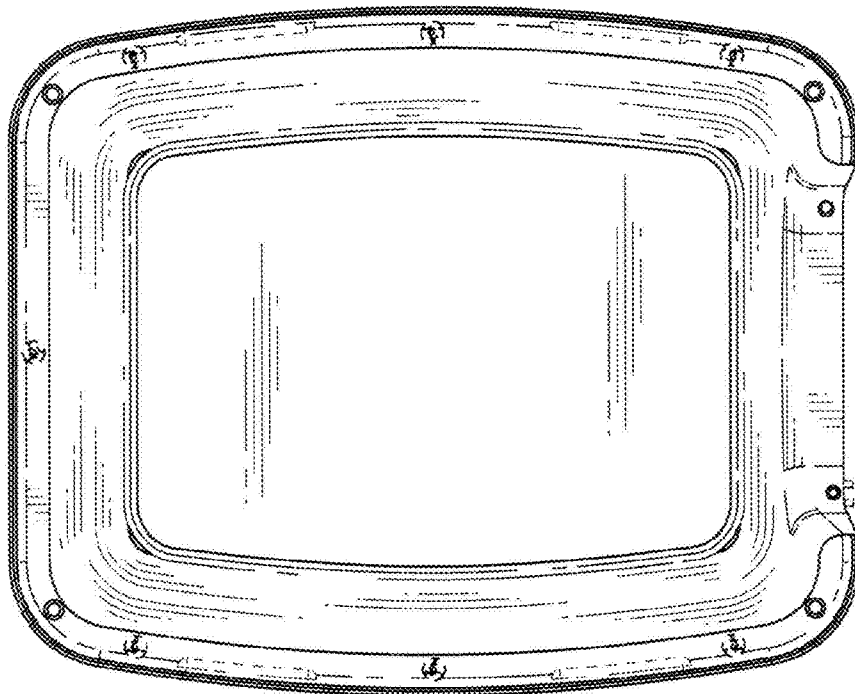


FIG. 7