



US00D797383S

(12) **United States Design Patent**  
**Peninger**

(10) **Patent No.:** **US D797,383 S**

(45) **Date of Patent:** **\*\* Sep. 12, 2017**

- (54) **ELEVATED PET FEEDER**
- (71) Applicant: **Stout Stuff, LLC**, Bentonville, AR (US)
- (72) Inventor: **Kelly Peninger**, Rogers, AR (US)
- (73) Assignee: **Stout Stuff, LLC**, Bentonville, AR (US)
- (\*\*) Term: **15 Years**
- (21) Appl. No.: **29/572,922**
- (22) Filed: **Aug. 1, 2016**
- (51) **LOC (10) Cl.** ..... **30-03**
- (52) **U.S. Cl.**  
USPC ..... **D30/133**
- (58) **Field of Classification Search**  
USPC ..... D30/133, 121, 128, 130, 132; 119/52.1, 119/55, 61.5, 61.6, 61.57, 61.56; D6/480-485; 248/188; 312/204; 108/153.1-157  
CPC ..... A01K 5/00; A01K 5/01; A01K 5/0107; A01K 5/0114; A01K 5/0121; A01K 5/0128; A01K 5/0135; A01K 7/005  
See application file for complete search history.

D515,878 S *	2/2006	Czepowicz	.....	D7/619.1
D551,400 S *	9/2007	Tsengas	.....	D30/133
D563,607 S *	3/2008	Northrop	.....	D30/129
D577,466 S *	9/2008	Shamoon	.....	D30/121
D592,814 S *	5/2009	Uffner	.....	D30/130
D618,862 S *	6/2010	Shamoon	.....	D30/121
D625,885 S *	10/2010	Bianchi	.....	D30/129
D634,167 S *	3/2011	Foster	.....	D7/700
D646,440 S *	10/2011	Chance	.....	D30/130
D647,668 S *	10/2011	Siklosi	.....	D30/130
D662,674 S *	6/2012	Tsengas	.....	D30/130
D669,231 S *	10/2012	Chance	.....	D30/130
D677,576 S *	3/2013	Gridley	.....	D9/601
D679,197 S *	4/2013	Dos Santos	.....	D9/601
D679,455 S *	4/2013	Chance	.....	D30/130
D685,141 S *	6/2013	Dixon	.....	D30/129
D687,938 S *	8/2013	Furner	.....	D23/366
D688,027 S *	8/2013	Smith	.....	D1/106

(Continued)

*Primary Examiner* — Susan Moon Lee  
(74) *Attorney, Agent, or Firm* — Thomas J. Oppold; Larkin Hoffman Daly & Lindgren, Ltd.

(57) **CLAIM**

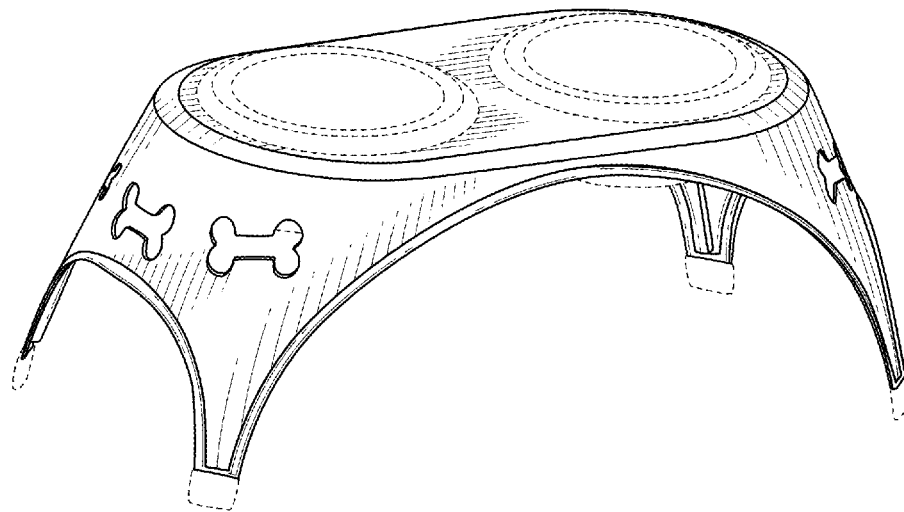
The ornamental design for an elevated pet feeder, as shown and described.

**DESCRIPTION**

FIG. 1 is a front perspective view of an elevated pet feeder in accordance with my new design;  
FIG. 2 is a front elevation view thereof;  
FIG. 3 is a rear elevation view thereof;  
FIG. 4 is a right side elevation view thereof;  
FIG. 5 is a left side elevation view thereof;  
FIG. 6 is a top plan view thereof; and,  
FIG. 7 is a bottom plan view thereof.  
The broken lines and unshaded portions contained within broken lines depict exemplary elements of the feeder that are shown for illustrative purposes only and that form no part of the claimed design.

**1 Claim, 4 Drawing Sheets**

- (56) **References Cited**  
U.S. PATENT DOCUMENTS
- D237,787 S \* 11/1975 Gower ..... D30/133
- D257,914 S \* 1/1981 Wooters ..... D12/419
- D315,974 S \* 4/1991 Steiner ..... D30/131
- D326,542 S \* 5/1992 Bain, Jr. .... D30/129
- D342,350 S \* 12/1993 Gower ..... D30/133
- D412,377 S \* 7/1999 Sharon ..... D30/130
- D412,605 S \* 8/1999 Sharon ..... D30/129
- 6,186,095 B1 \* 2/2001 Simon ..... A01K 15/025  
119/707
- D448,978 S \* 10/2001 Isbell ..... D7/619.1
- D505,523 S \* 5/2005 Rahman ..... D30/133



(56)

**References Cited**

## U.S. PATENT DOCUMENTS

D702,077	S *	4/2014	Endres .....	D7/354
D770,099	S *	10/2016	Jones .....	D30/129
D782,128	S *	3/2017	Wechsler .....	D30/121
2006/0130769	A1 *	6/2006	Nichols .....	A01K 5/0114 119/58
2006/0196436	A1 *	9/2006	Nichols .....	A01K 5/0114 119/61.53
2008/0216753	A1 *	9/2008	Wang .....	A01K 5/0114 119/61.1
2009/0126641	A1 *	5/2009	Anderson .....	A01K 5/0135 119/61.5
2009/0199775	A1 *	8/2009	Shamoon .....	A01K 5/0114 119/61.56
2010/0107984	A1 *	5/2010	Uffner .....	A01K 5/0128 119/61.5
2010/0275852	A1 *	11/2010	Lipscomb .....	A01K 5/0114 119/61.5
2013/0125823	A1 *	5/2013	Simon .....	A01K 5/0135 119/61.5
2014/0346293	A1 *	11/2014	Qiu .....	A01K 5/0114 248/176.1

\* cited by examiner

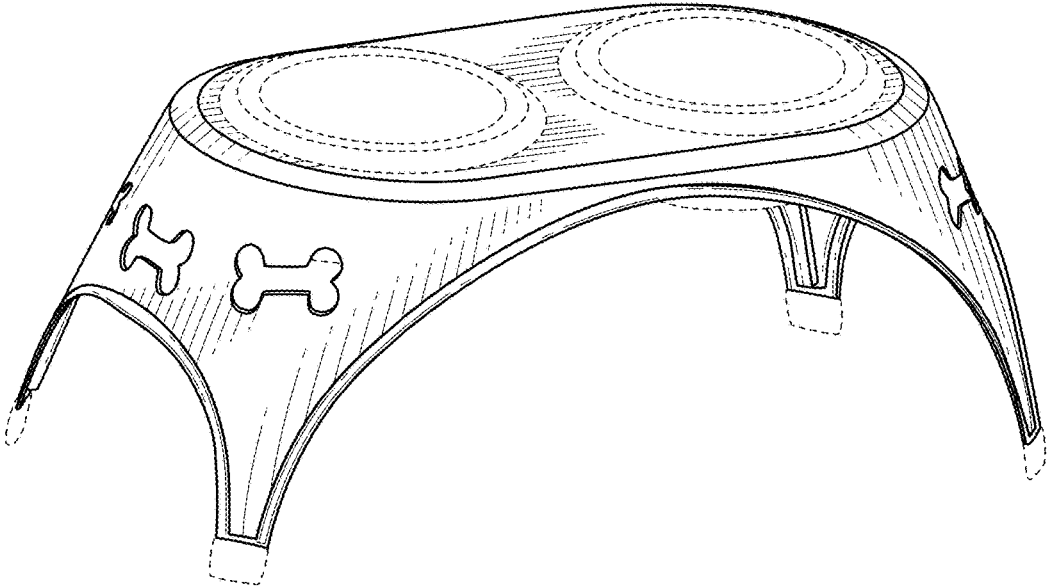


FIG. 1

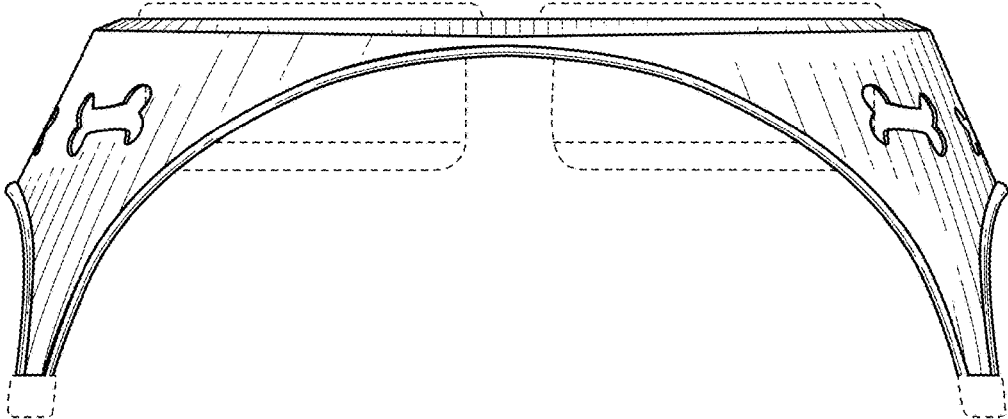


FIG. 2

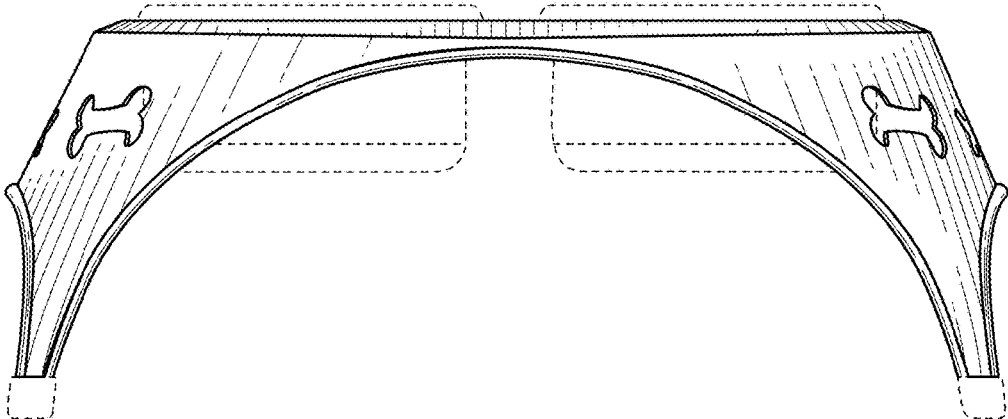


FIG. 3

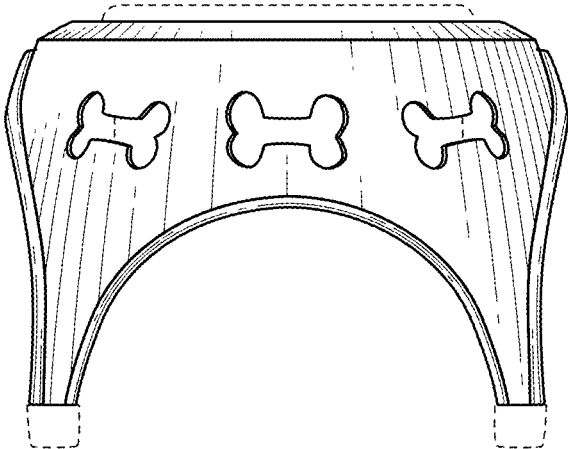


FIG. 4

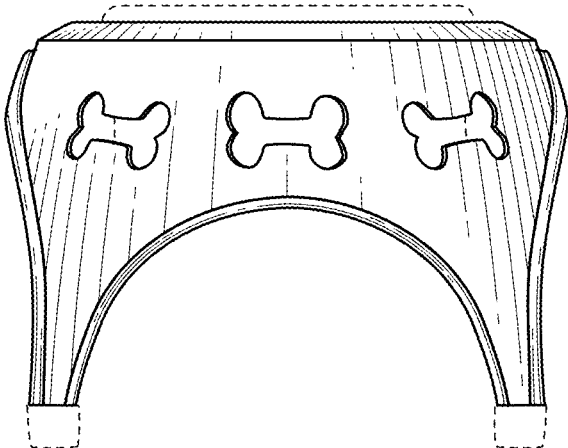


FIG. 5

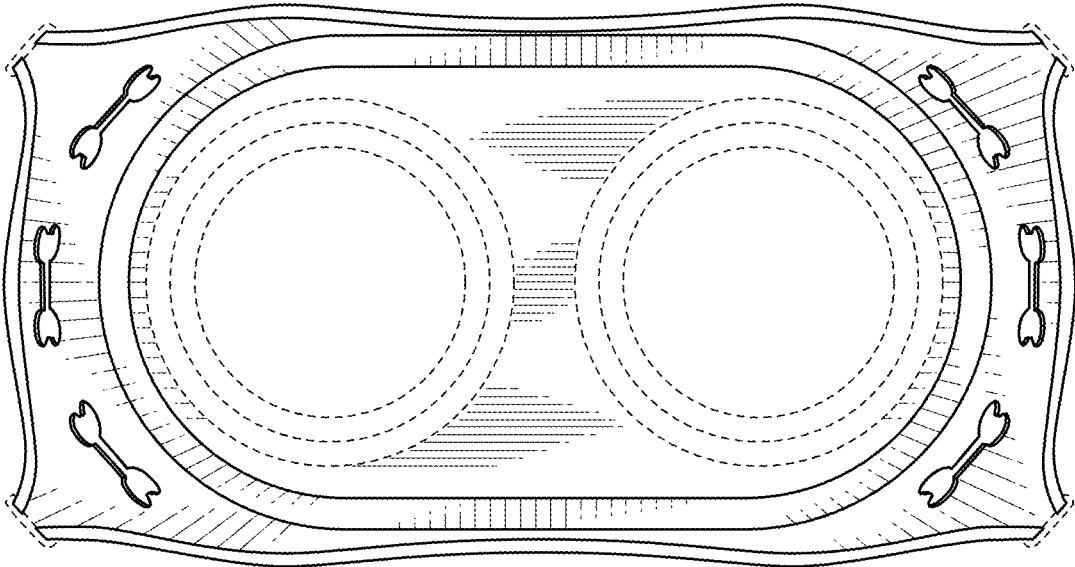


FIG. 6

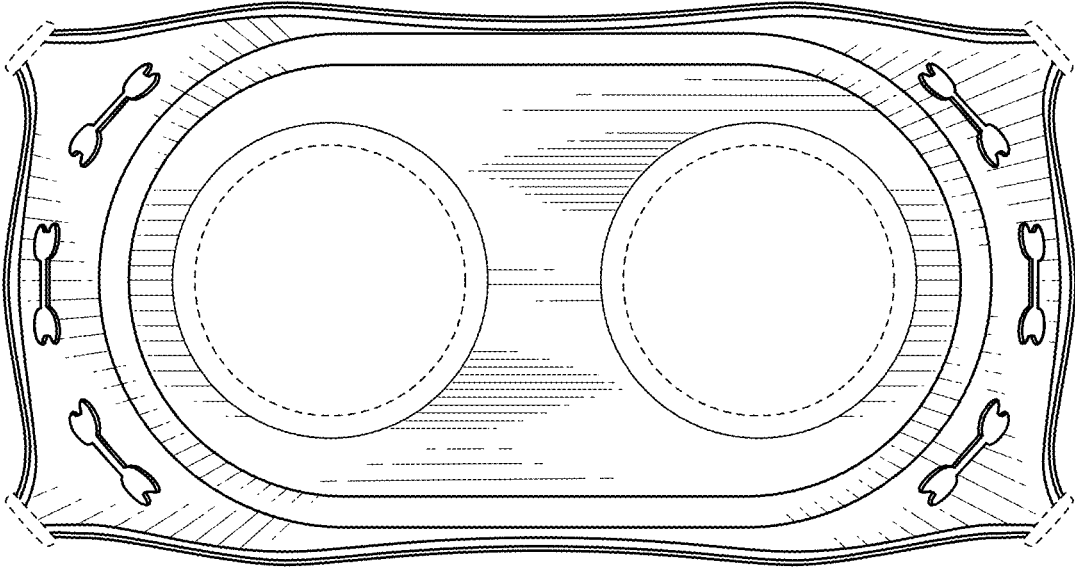


FIG. 7