



US00D646444S

(12) **United States Design Patent**
Lawson et al.

(10) **Patent No.:** **US D646,444 S**
(45) **Date of Patent:** **** Oct. 4, 2011**

(54) **HIGH BACK CAT LITTER PAN WITH HOOD**

(75) Inventors: **Thomas Michael Lawson**, Rogers, AR (US); **Erin Elizabeth McCracken**, Bentonville, AR (US); **Christopher Eugene Chance**, Bella Vista, AR (US)

(73) Assignee: **Stout Stuff, LLC**, Bentonville, AR (US)

(**) Term: **14 Years**

(21) Appl. No.: **29/364,927**

(22) Filed: **Jun. 30, 2010**

(51) **LOC (9) Cl.** **30-99**

(52) **U.S. Cl.** **D30/161**

(58) **Field of Classification Search** D30/108,
D30/161; 119/161, 163-170

See application file for complete search history.

(56) **References Cited**

U.S. PATENT DOCUMENTS

3,310,031 A	3/1967	Lowe, Jr.	
D274,757 S	7/1984	Beaty, Sr.	
4,505,226 A	3/1985	Carlson	
4,766,845 A	8/1988	Bavas	
D300,965 S	5/1989	Conner	
D300,966 S	5/1989	Conner	
D300,967 S	5/1989	Conner	
D300,968 S	5/1989	Conner	
5,402,751 A	4/1995	De La Chevrotiere	
D361,175 S *	8/1995	VanSkiver	D30/161
D370,316 S *	5/1996	Merino	D30/161
D374,510 S *	10/1996	Barreto et al.	D30/108
5,601,052 A *	2/1997	Rood et al.	119/166
D388,560 S	12/1997	Savicki	
6,223,688 B1	5/2001	Engel	
D455,239 S	4/2002	McLaughlin	
6,401,660 B1	6/2002	Wolff	
D468,493 S	1/2003	Chase-Gilpin	
D497,691 S	10/2004	Hardt	

D502,576 S	3/2005	Miller et al.
D513,817 S	1/2006	Miller et al.
D514,754 S	2/2006	Northrop et al.
7,021,680 B2	4/2006	VanSkiver et al.

(Continued)

FOREIGN PATENT DOCUMENTS

WO WO2009024793 2/2009

Primary Examiner — Cathy A MacCormack

(74) *Attorney, Agent, or Firm* — Larkin Hoffman Daly & Lindgren Ltd.; Thomas J. Oppold

(57) **CLAIM**

The ornamental design for a high back cat litter pan with hood, as shown and described.

DESCRIPTION

FIG. 1 is a front perspective view of the high back cat litter pan with hood of the present design.

FIG. 2 is a front elevation view of FIG. 1.

FIG. 3 is a rear elevation view of FIG. 1.

FIG. 4 is a left side elevation view of FIG. 1.

FIG. 5 is a right side elevation view of FIG. 1.

FIG. 6 is a top plan view of FIG. 1.

FIG. 7 is a bottom plan view of FIG. 1.

FIG. 8 is an exploded front perspective view of FIG. 1 showing the hood lifted above the litter pan.

FIG. 9 is an exploded front elevation view of FIG. 8.

FIG. 10 is an exploded rear elevation view of FIG. 8.

FIG. 11 is an exploded left side elevation view of FIG. 8.

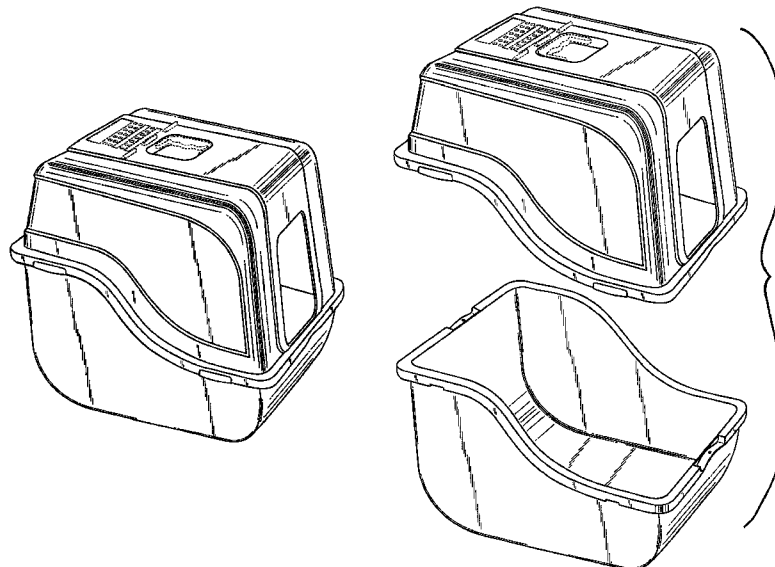
FIG. 12 is an exploded right side elevation view of FIG. 8.

FIG. 13 is a top plan view of FIG. 8; and,

FIG. 14 is a bottom plan view of FIG. 8.

The broken lines showing the structural reinforcement ribs on the bottom surface of the cat litter pan and the broken lines showing the handle and vents on the hood form no part of the claimed design.

1 Claim, 10 Drawing Sheets



US D646,444 S

Page 2

U.S. PATENT DOCUMENTS

D527,498	S	*	8/2006	Lewis, II	D30/161	D608,959	S	1/2010	Kim	
D528,252	S		9/2006	Van Skiver et al.		2003/0188690	A1	10/2003	Zabik	
7,150,242	B2		12/2006	Schuster et al.		2004/0129233	A1*	7/2004	Northrop et al.	119/166
7,380,519	B2		6/2008	Ikegami et al.		2005/0211179	A1*	9/2005	Lewis, II	119/168
D579,158	S		10/2008	Gillis et al.		2007/0277740	A1	12/2007	Delman et al.	
D591,463	S	*	4/2009	Plante	D30/161	2009/0000558	A1	1/2009	Matsuo et al.	
D601,313	S		9/2009	Kim						

* cited by examiner

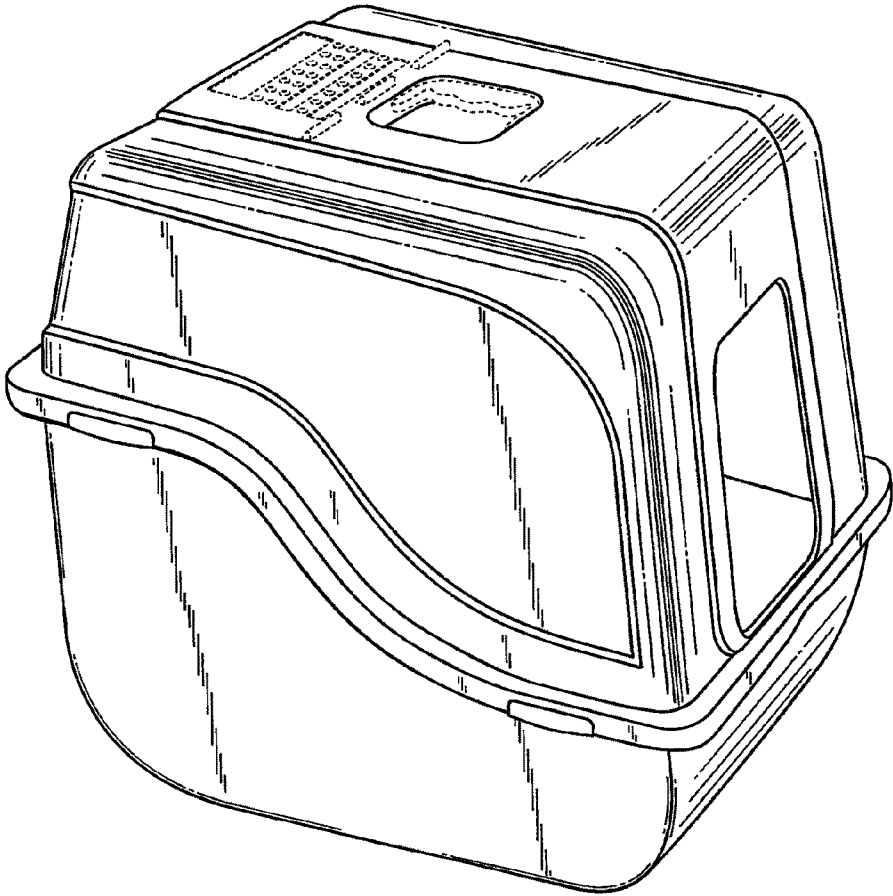


Fig. 1

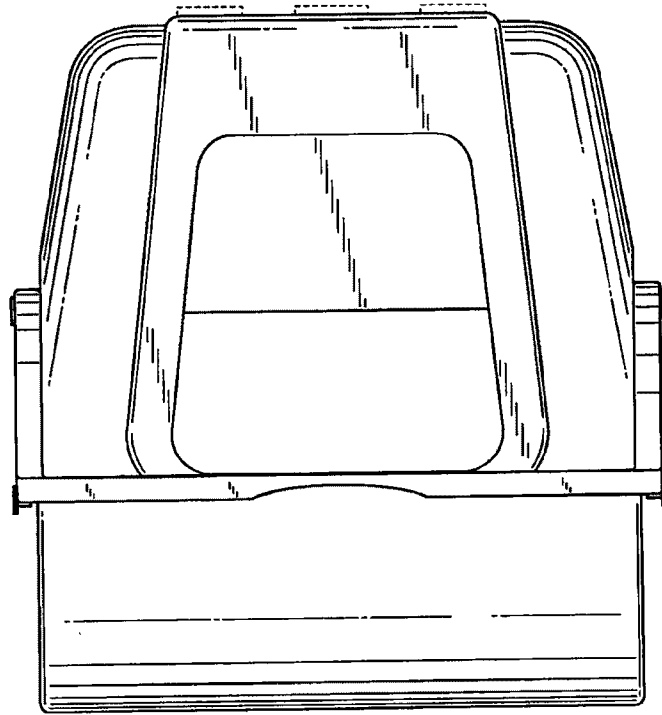


Fig. 2

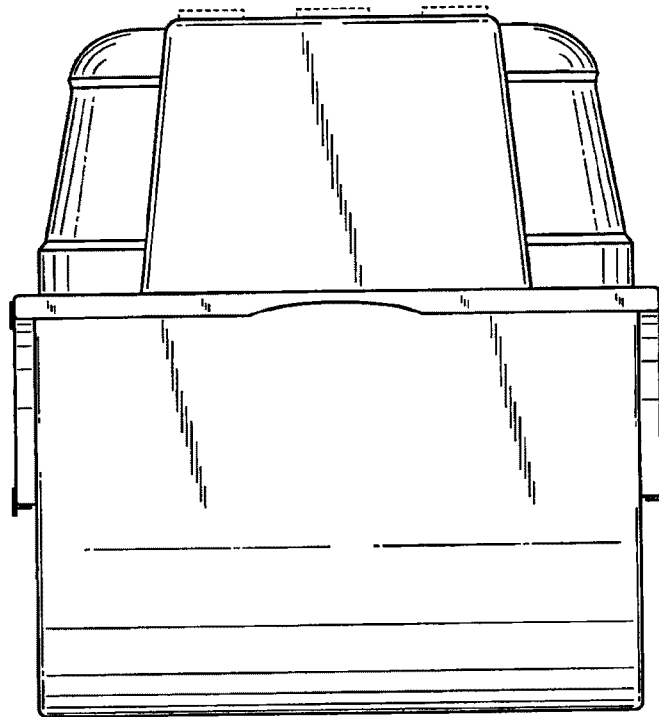


Fig. 3

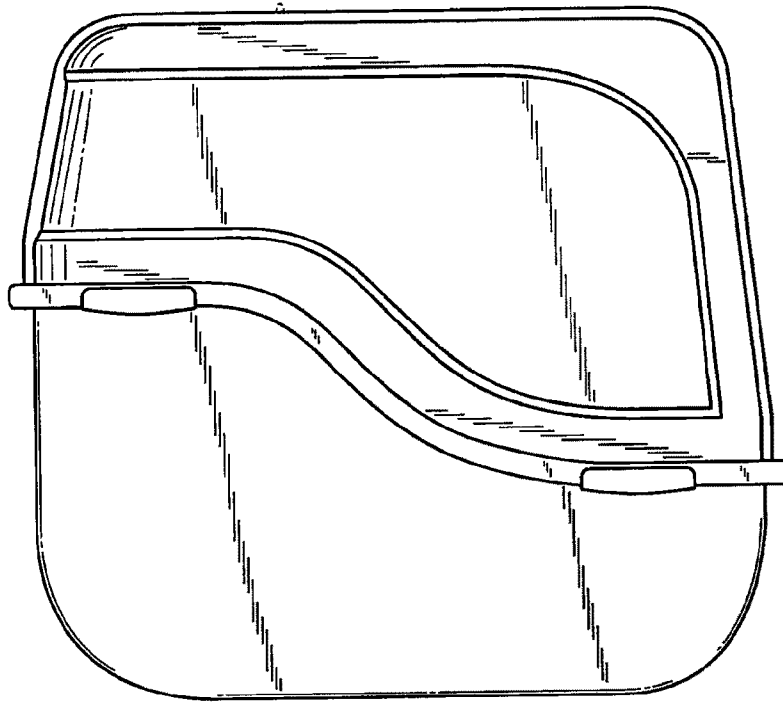


Fig. 4

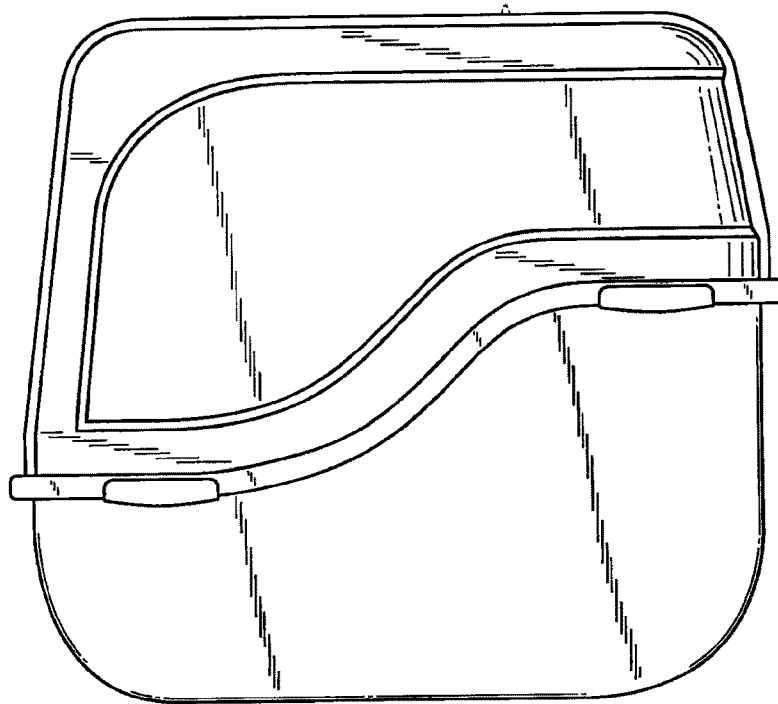


Fig. 5

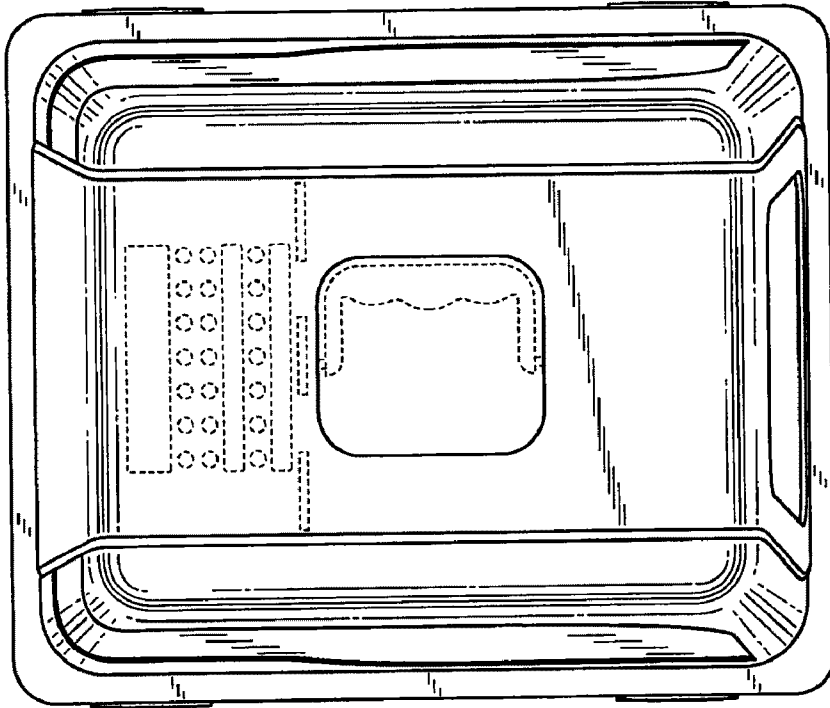


Fig. 6

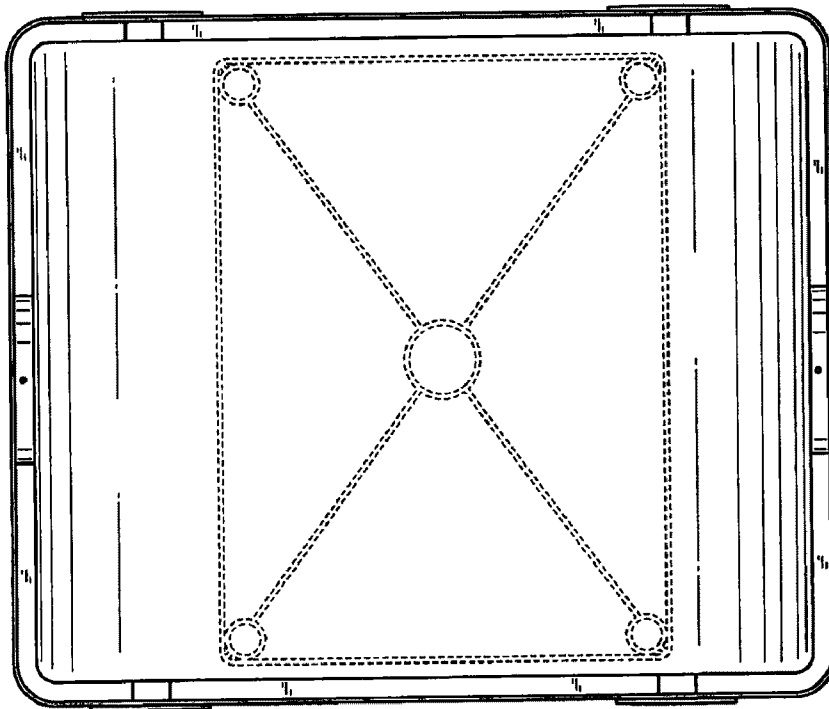


Fig. 7

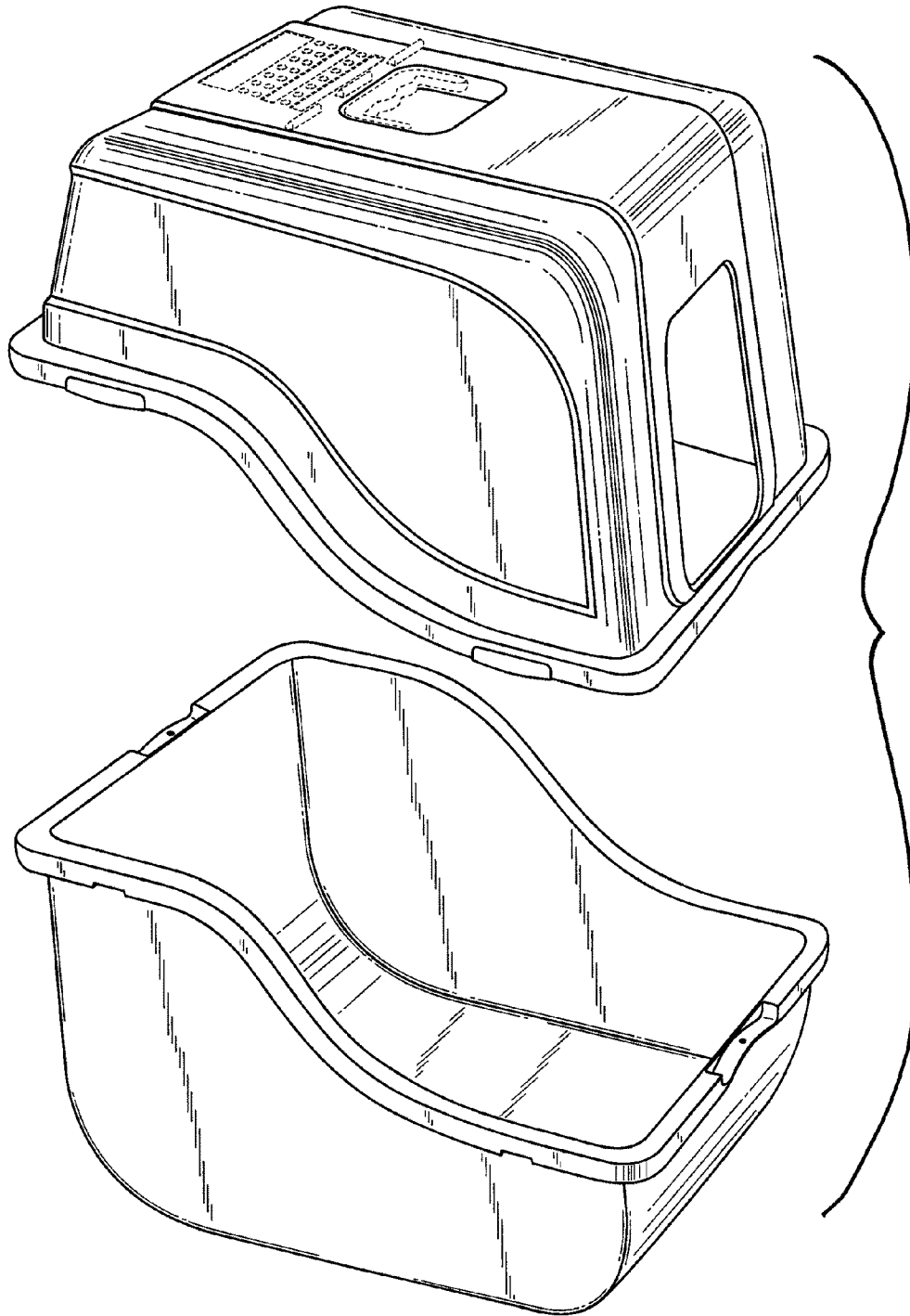


Fig. 8

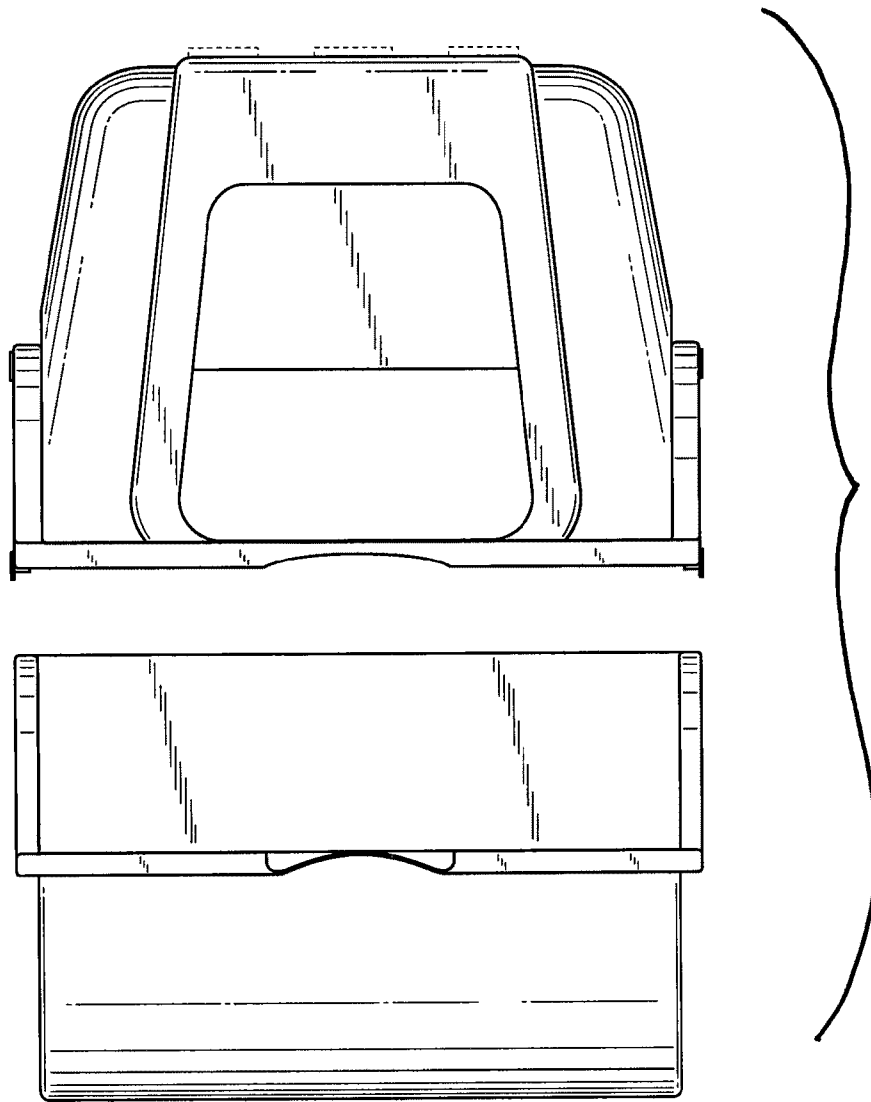


Fig. 9

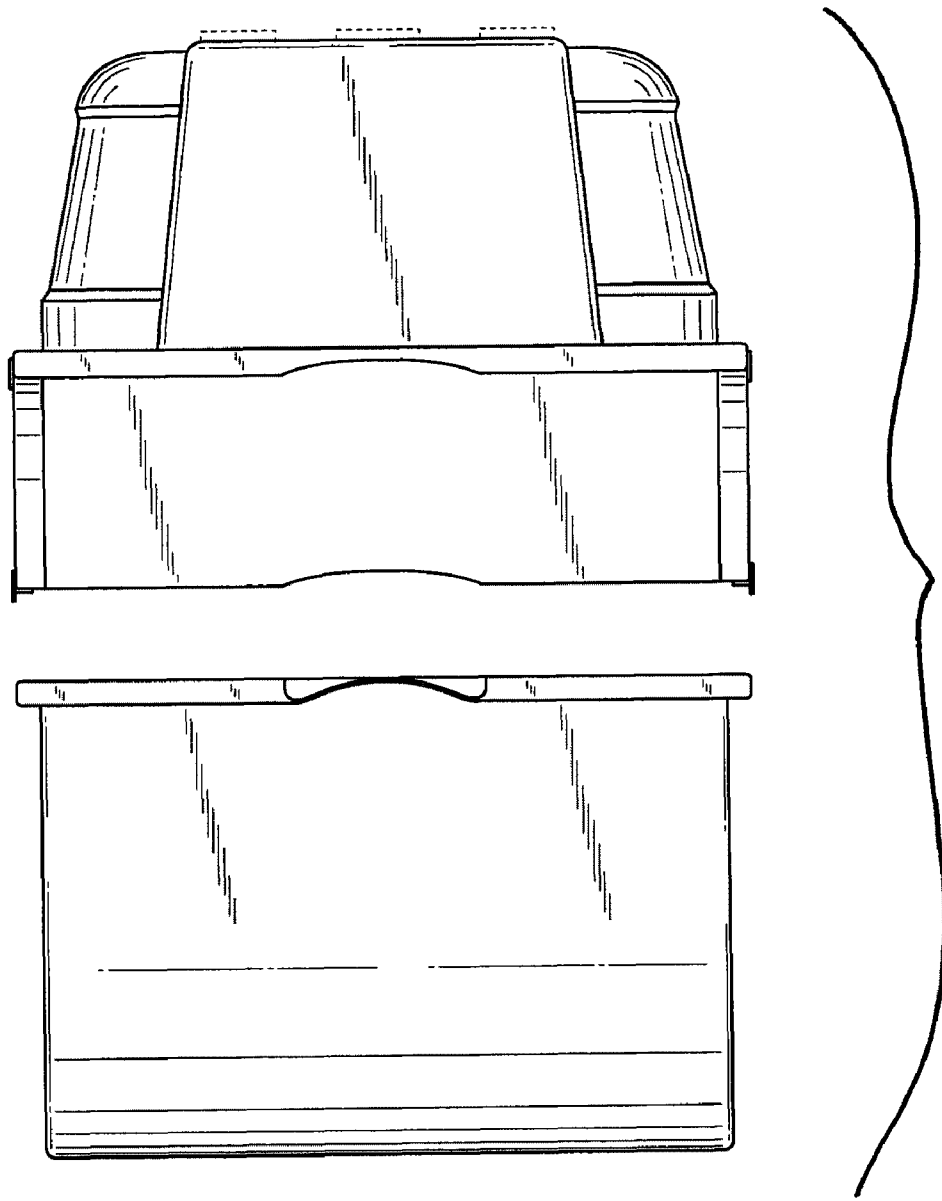


Fig. 10

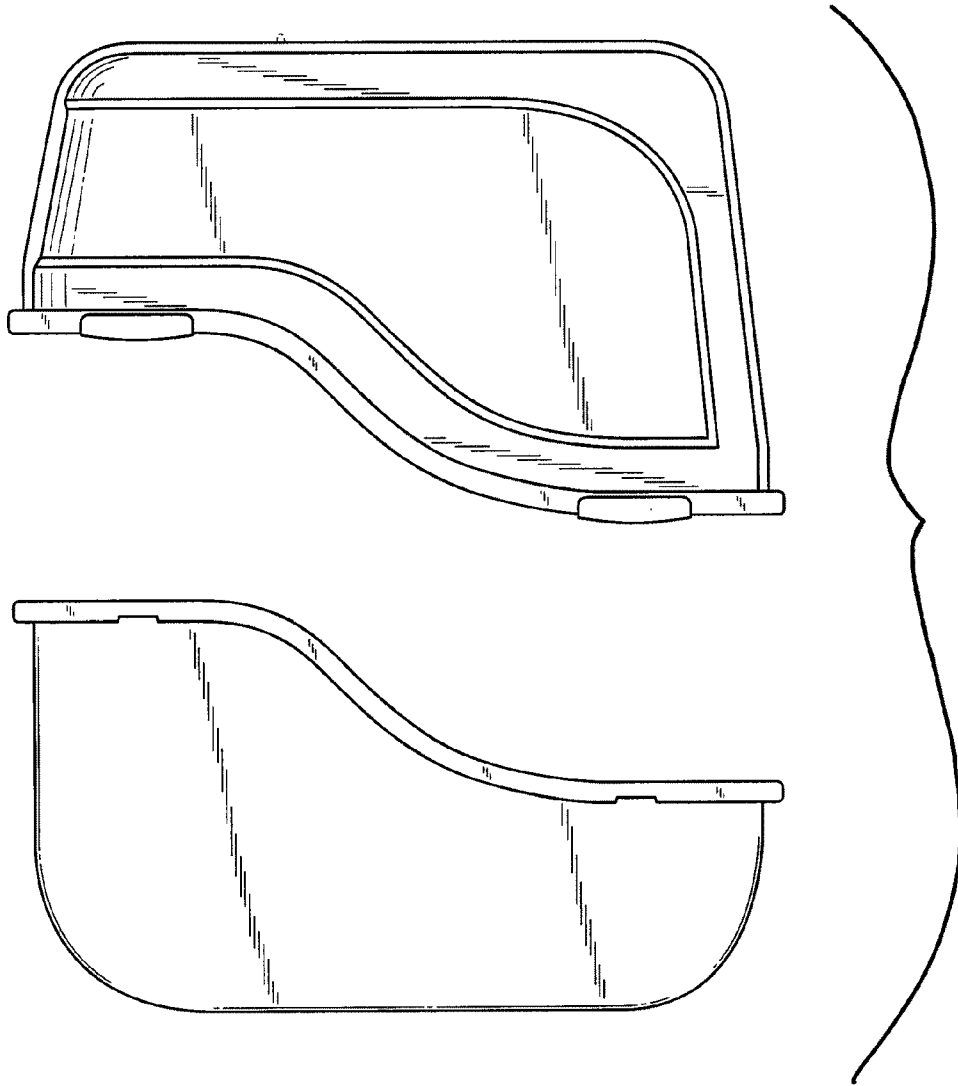


Fig. 11

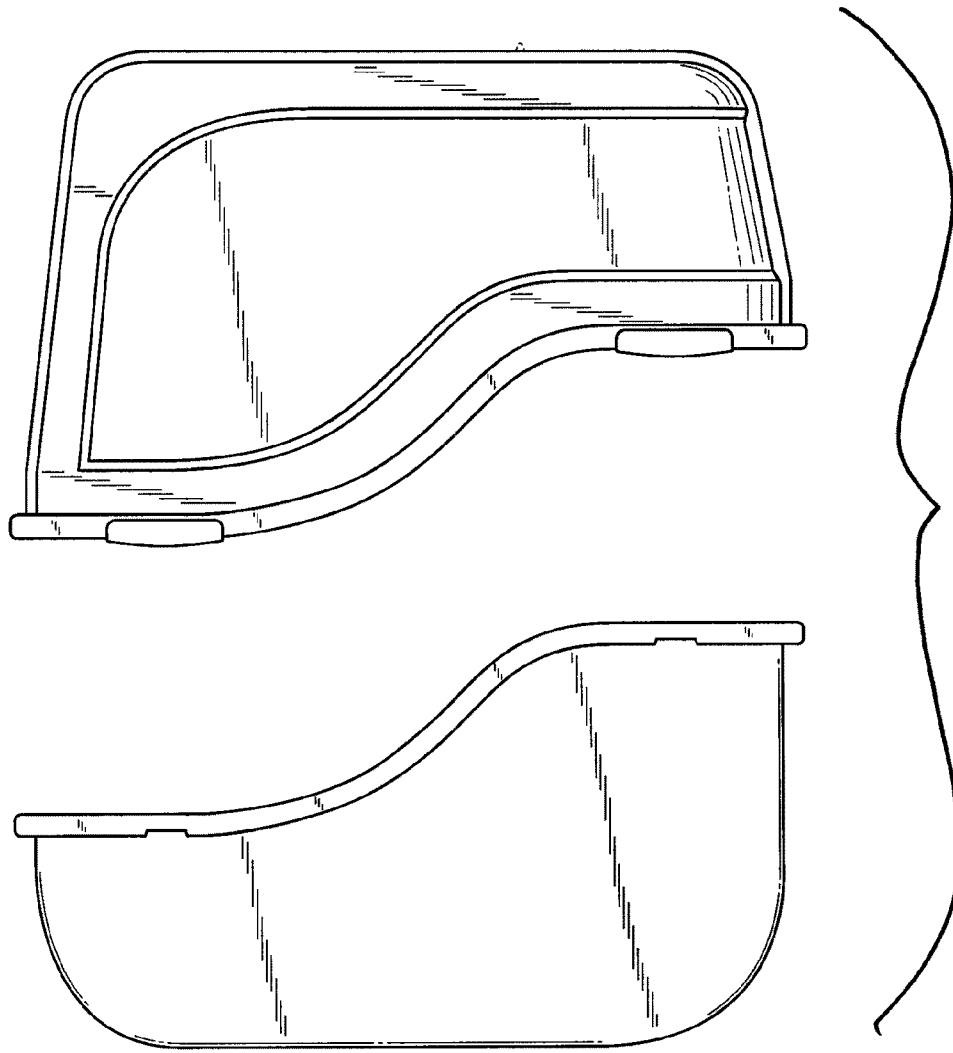


Fig. 12

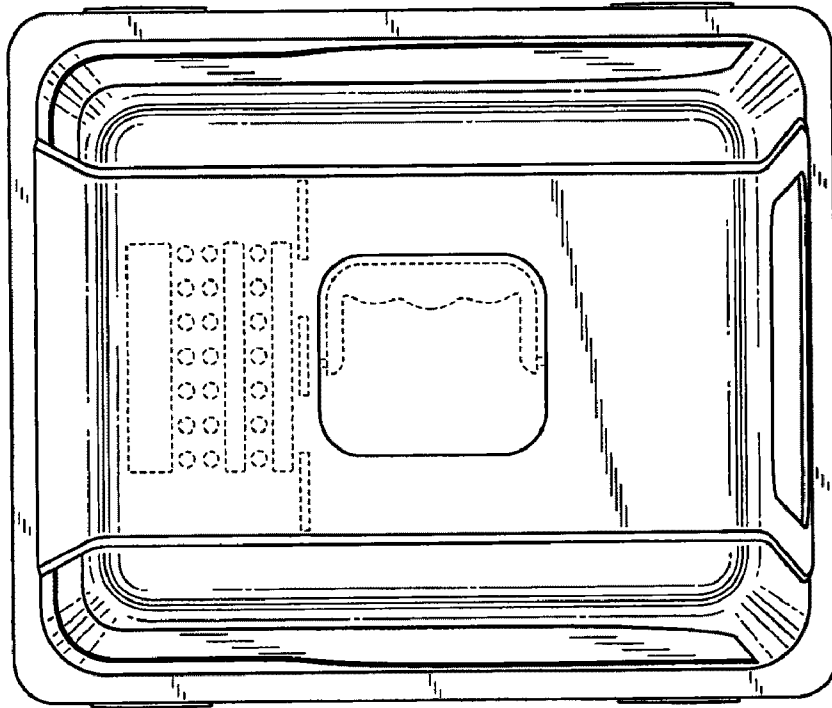


Fig. 13

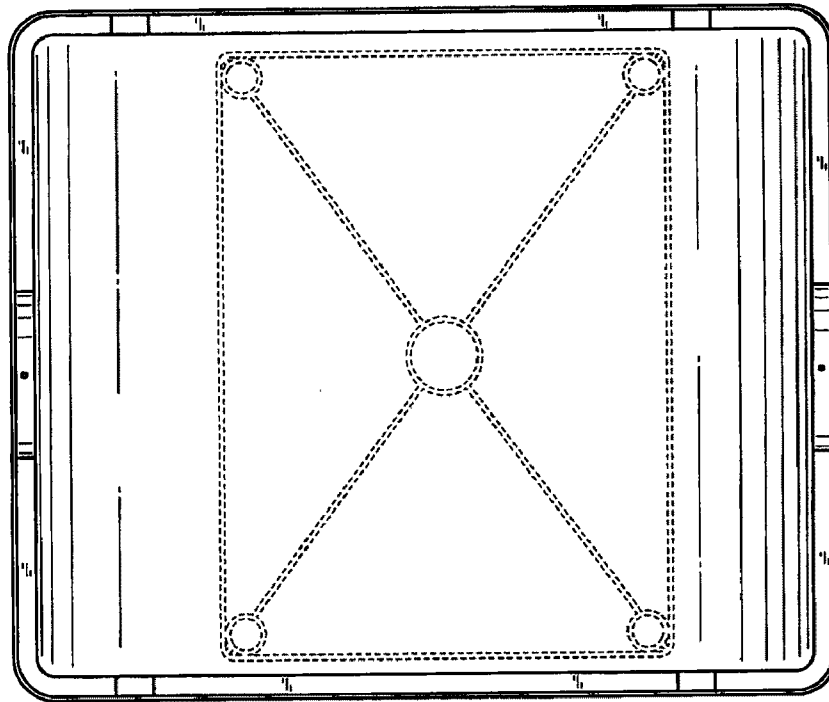


Fig. 14